



SMASH X4

Advanced Fire Control Scope





SMASH X4 Advanced Fire Control Scope

SMASH is a combat-proven family of Fire Control Systems which are designed, developed and manufactured by SMARTSHOOTER to ensure each round finds its target, in both day and night conditions, as well as keeping friendly forces safe.

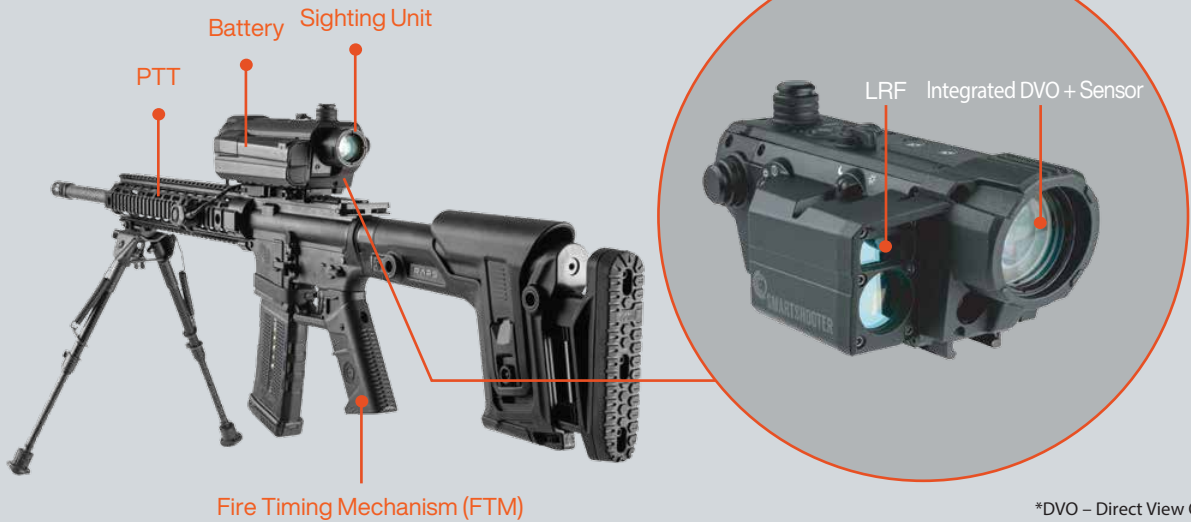
The SMASH X4 combines a X4 magnifying optic scope with SMARTSHOOTER's fire control capabilities thus providing extended detection, recognition & identification ranges for the shooter as well as extended lethality ranges.

The SMASH X4 also includes an etched reticle to allow shooting without battery power. An integrated Laser Range Finder (LRF) enables range measurement both as a user-initiated capability as well as a system input for improved precision. The system integrates Lock-Track-Hit capabilities hitting static and dynamic targets, at complicated shooting conditions, in real tactical scenarios.

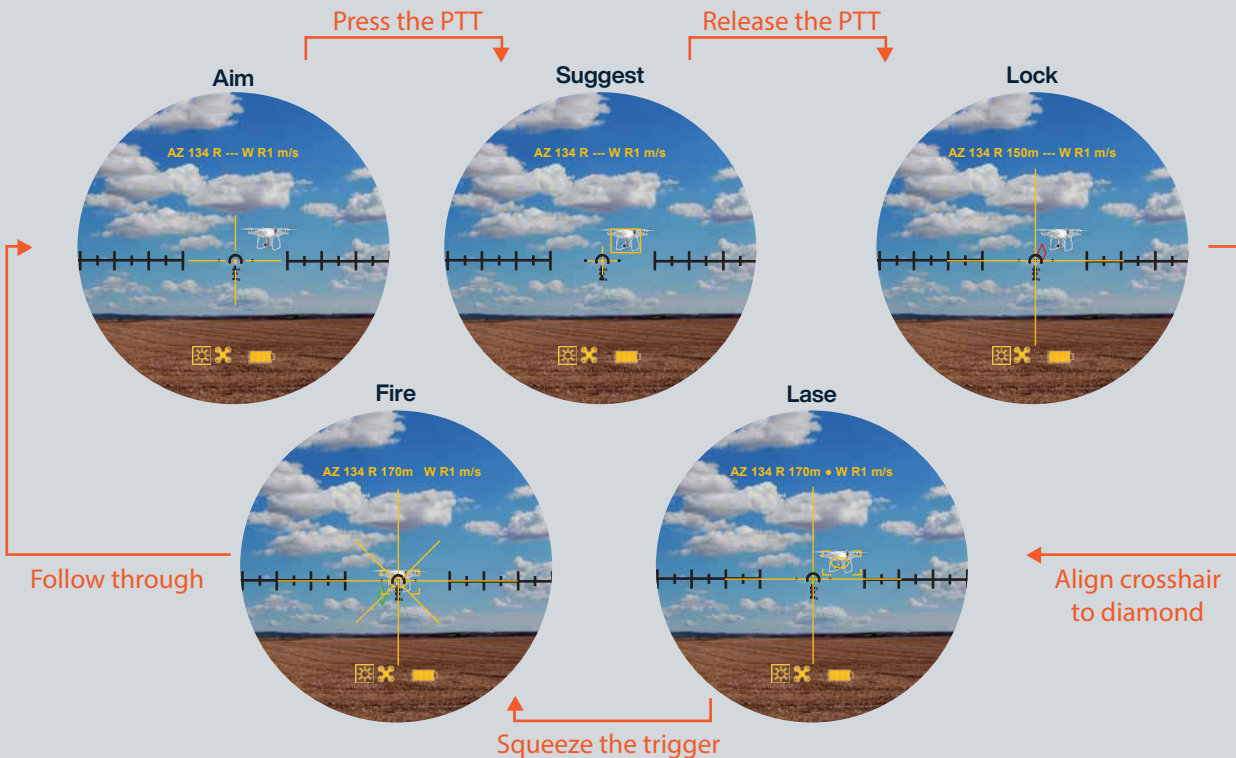
Why SMASH?

- SMASH increases hit probability to significantly enhance lethality and user survivability
- Increased situational awareness
- SMASH ensures a first-round hit, day and night while reducing engagement time
- Shot accuracy no longer affected by human factors such as fatigue, stress or target movement
- Detection, tracking and engagement of drones and small UAVs
- Ballistic support for a wide variety of ammunition types
- Connectivity with C4I systems, Battle Management Systems and external sensors
- Low life cycle cost (minimal training, maintenance and ammunition)

Components



*DVO – Direct View Optics



	Etched reticle mode
Main System Modes	Day mode fire control assisted shots using see-through projected markers
	Night mode fire control assisted shots using low light video display
	Clip-On mode fire control assisted shots using night vision clip-on
Multi-Operational Use	Ground target elimination, static and dynamic targets up to 400 m (Day mode)
	Small UAS kinetic elimination up to 250 m (Drone mode)
	Ground target elimination, static and dynamic targets up to 400 m (Night mode)
Magnification	X4
Supported Weapons	AR10, AR15, AK and others
Integral Fire Control Computer	Target lock & track
	Dynamically updated firing zone and synchronized shot
	User selection of different ballistics
	Compensation for wind, inclination, cant
	Enables future capabilities addition through software upgrades
Size (L x W x H)	206 mm X 102 mm X 83 mm
Weight	1250 g (Sight)
Power Source	Rechargeable Smart Lithium Ion battery pack
	72 hours or up to 3600 SMASH-assisted shots
	CR123 battery pack – Optional
Laser Range Finder	905 nm Wavelength, Class 1M Optional Activation via PTT Cable (Eye Safe)
MIL-STD Compliance	MIL-STD-810G, MIL-STD-461E

Features



X4 Magnification

Provides a clear, natural sight picture and improved situational awareness



Add-On

Mounts to standard rails, upgrading legacy rifles with advanced capabilities



Swift Mode Change

Switch instantly to basic reflex sight mode or between ground and aerial modes if needed



Target Detection

Simple controls let users select and confirm targets without moving hands of the weapon



Day/Night Operation

Enables precision targeting 24/7 with clear day and night vision



Digital Zeroing

Speeds up and improves zeroing accuracy, reducing training time for new users



Lock & Track

Locks onto targets and tracks them automatically, easing shooter workload



Drone Mode

Identifies, tracks, and helps eliminate aerial threats



Integrated LRF

Build-In Laser Rangefinder (LRF), enabling improved ranging accuracy and optimized ballistic solutions for enhanced precision

Head Office

Smart Shooter Ltd. | Yagur, 3006500 Israel

Tel: +972 72 3202111 | info@smart-shooter.com

North America

Smart Shooter Inc. | 13405 Elevation Lane

Herndon, VA 20171, USA

Tel: +1 952 9132568 | Scott@smart-shooter.com

Europe

Smart Shooter Europe GmbH. | Lindenbecker Weg 14,

40822 Mettmann Germany

Tel: +49 172 3122872 | europe@smart-shooter.com.

Australia and New Zealand

SMASH Australia Pty Ltd. | Level 1, The Realm 18 National

Circuit, Barton ACT 2600, Australia

Tel: +61 2 61983405 | Lachlan.mercer@smart-shooter.com



SMARTSHOOTER

PRECISE TECHNOLOGICAL SOLUTIONS